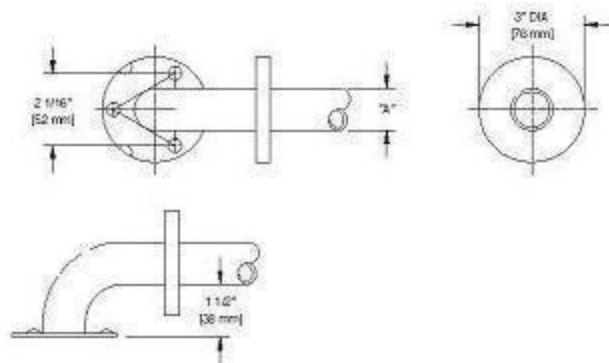


GRAB BARS (CONCEALED MOUNTING)



Specifications:

- 1-1/4 In. Wall Clearance
- 3" Stainless Steel Flange Covers
- #10 x 2 1/2" Stainless Steel Pan head Installation screws
- Concealed Mounting With Stainless Steel Finish
- Fabricated according to ADA Specifications
- ADA Compliant : Yes
- Material : Stainless Steel, SUS304
- Color / Finish : Stainless Steel
- Diameter : 1.25 In.
- Weight Capacity : 600 LBS

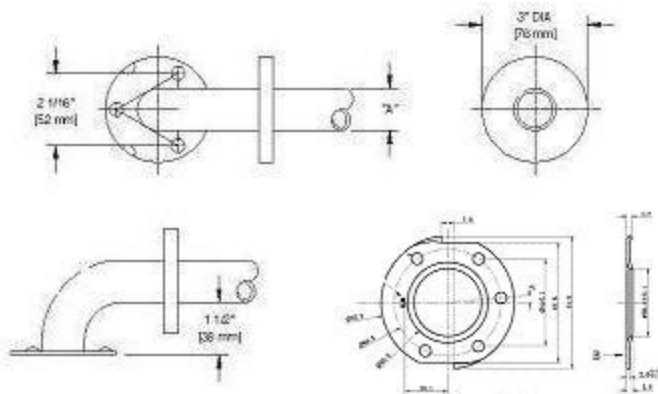
304 STAINLESS STEEL GRAB BARS



WT International Inc.

555 NORTHLAND DRIVE N.E., BLDG C, ROCKFORD, MI 49341 USA

GRAB BARS (CONCEALED MOUNTING)



Specifications:

- 1-1/2 In. Wall Clearance
- 3" Stainless Steel Flange Covers
- #10 x 2 1/2" Stainless Steel Pan head Installation screws
- Concealed Mounting With Stainless Steel Finish
- Engineered to meet 900 lb. pull, when properly installed
- Fabricated according to ADA Specifications
- ADA Compliant : Yes
- Material : Stainless Steel, SUS304
- Color / Finish : Stainless Steel
- Diameter : 1.50 In.
- Weight Capacity : 700 Lbs.



 **ADA Compliant**

304 STAINLESS STEEL GRAB BARS



WT International Inc.