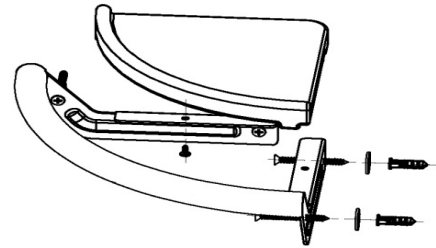
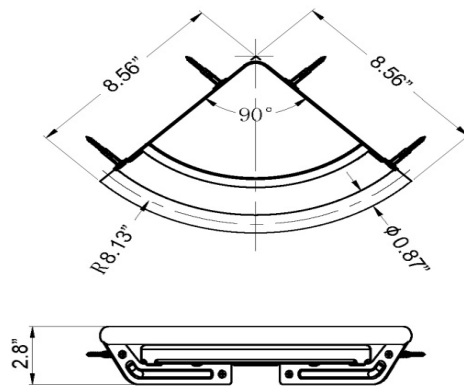


TECHNICAL DATA

MULTI-FUNCTION SAFETY ASSIST BAR WITH CORNER SHELF



Specifications :

- * Curved Safety Bar ~ Material : #304 Stainless Steel Bar
~ Finish : Polished
- * Mounting Arms ~ Material : #304 Stainless Steel
~ Finish : Polished
- * Corner Shelf ~ Plastic PE
~ Finish : injected White
- * #10 x 2" Stainless Steel Mounting Screws x 4pcs (Included)
- * ADA Compliant
- * Weight Capacity for Upper Safety Bar : 280 lbs

Arista Safety Products



WT International Inc.

555 NORTHLAND DRIVE N.E., BLDG C, ROCKFORD, MI 49341, USA

